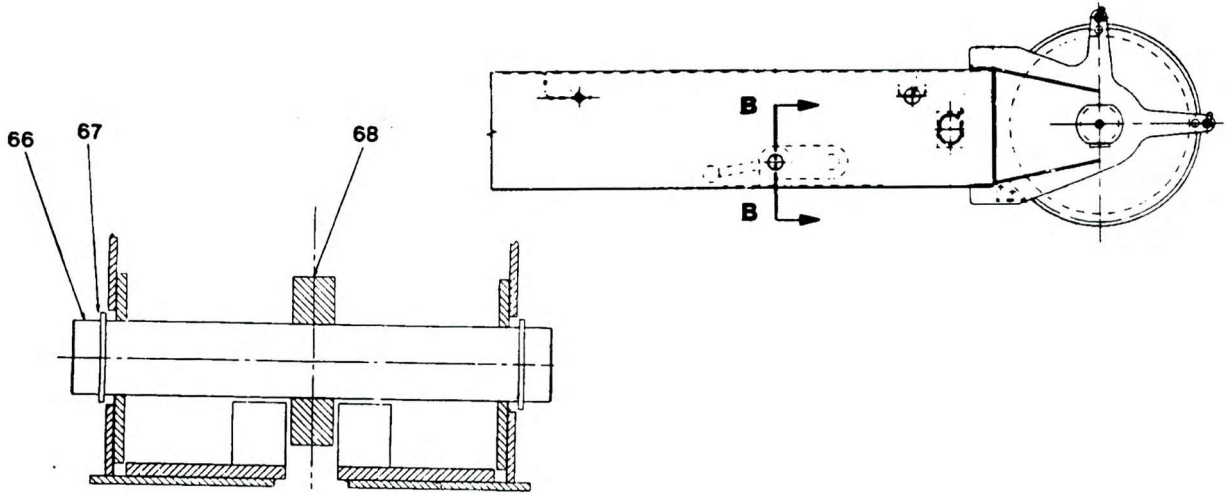


Manitowoc Crane Group



SECTION B-B

